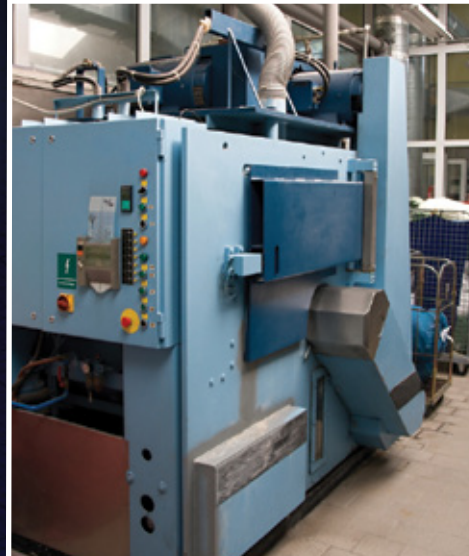
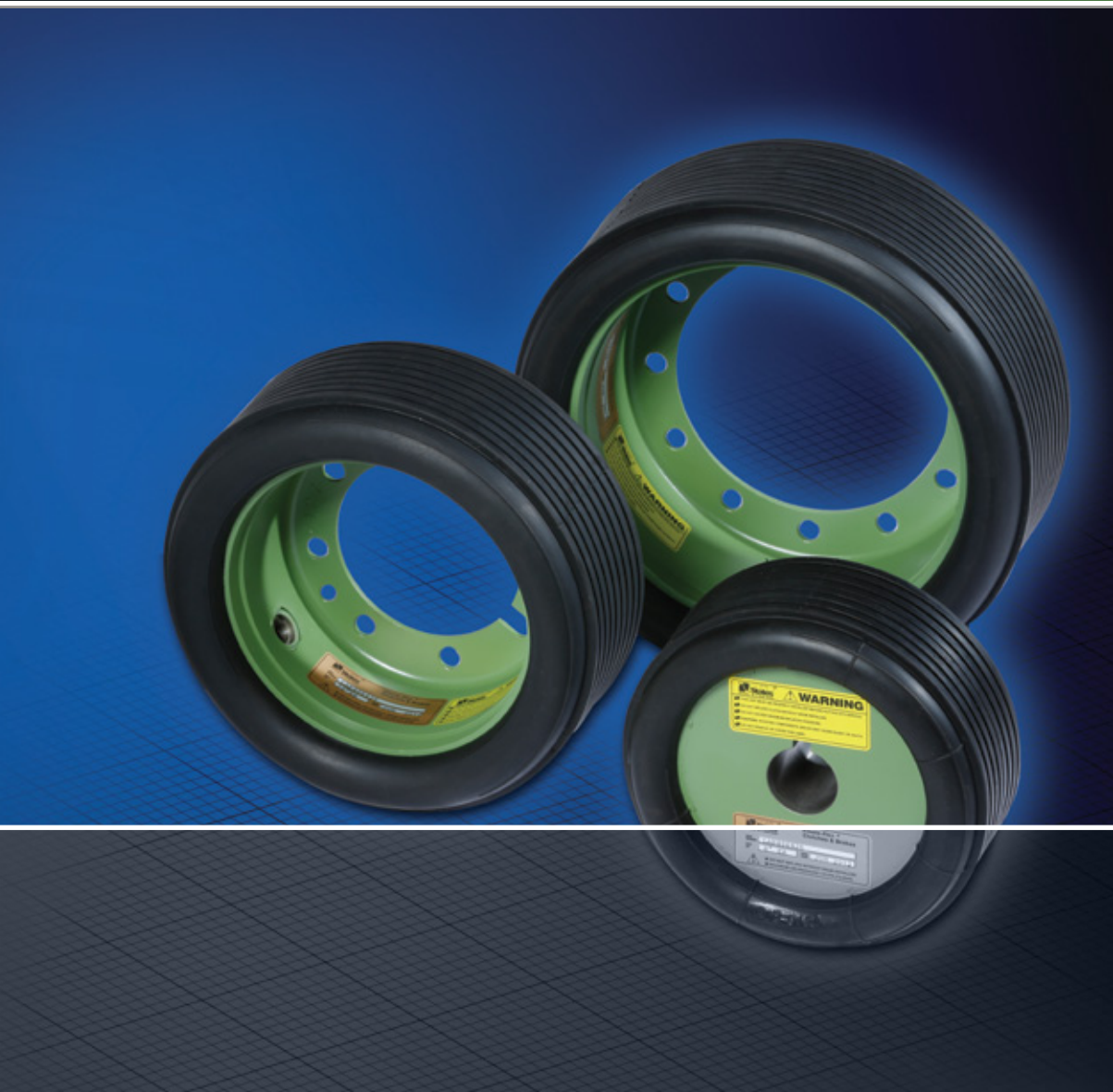


# ELASTA-FLEX® ER CLUTCHES & BRAKES



## ER Clutches & Brakes

### ELASTA-FLEX® ER Series

Elasta-Flex® ER clutches and brakes feature a centrifugal expander tube designed for commercial laundry, tire builders, paper converters and other textile-related machinery. The ER element expands and engages directly with the drum, providing flexibility and the ability to disconnect the coupling when necessary. The ER element can be used as a shaft coupling, light slip clutch, or tension/holding brake.

In the ER design, the tube component provides shock absorption and transmits the entire torque load, providing long life in high duty cycle environments.

#### Features & Benefits

- Coupling can be disconnected without stopping
- Zero RPM differential between driving and driven shaft
- Elastomeric tube design compensates for minor misalignment
- High torque capabilities in a compact design

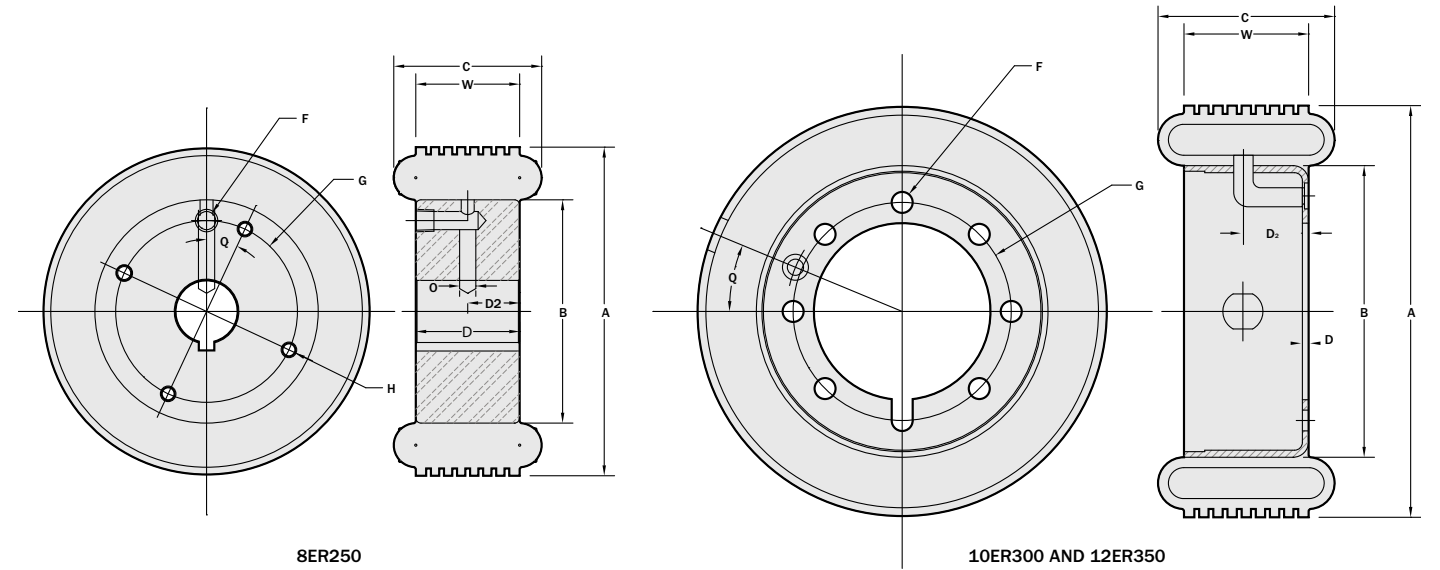
#### Typical Applications

- Centrifuges
- Paper and textiles
- Core expanders
- Tire manufacturing
- Commercial laundry facilities



#### Fast, reliable supply, service and support

- Large stocking inventories and quick turnarounds ensure short lead-times
- Full product engineering support
- Quick turnarounds for service components reduce downtime



#### TECHNICAL: ER CLUTCHES

CLUTCH DESCRIPTION	OIL STATES PART NUMBER	CROSSOVER PART NUMBER	TORQUE RATING *		MAX SPEED	INERTIA		WEIGHT		MAX AIR CAVITY		MAX DRUM DIAMETER	
			lb-in	N-m		lb-ft <sup>2</sup>	kg-m <sup>2</sup>	lb	kg	in <sup>3</sup>	dm <sup>3</sup>	in	mm
8ER250	LAP406426	406426	3,550	401	1800	0.5	0,001	18	0,5	35	0,07	8.09	78
10ER300	LAP406429	406429	6,600	746	1800	0.8	0,03	8	3,6	75	1,23	10.09	256
10ER300 W/1 S/C	LAP145161AL	145161AL	6,600	746	1800	0.8	0,03	8	3,6	75	1,23	10.09	256
12ER350	LAP406444	406444	12,300	1,390	1800	2	0,08	13	5,9	80	1,31	12.09	307
12ER350 W/1 S/C	LAP145164AL	145164AL	12,300	1,390	1800	2	0,08	13	5,9	80	1,31	12.09	307

\*Listed ratings at 75psi/5.2bar, actual torque varies with actuating pressure.

#### DIMENSIONS: ER CLUTCHES (SIZES 8' - 12")

SIZE	A		B		C		W		D		D2		F *#		G		H		O **#		Q	
	in	mm	in	mm	in	mm	in	mm	in	mm	in	mm	in	mm	in	mm	in	mm	in	mm	in	mm
8ER250	7.91	201	5.38	137	3.56	90	2.5	64	2.5	64	1.25	31.8	1/4-18	1/4-18	4.38	111	3/8-16	3/8-16	0.31	8	22.5	22.5
10ER300	9.9	251	7	178	4.25	108	3	76	0.16	4	1.56	40	0.31	8	5.25	133	0.5 in	13	N/A	N/A	22.5	23
12ER350	11.9	302	9	229	4.75	121	3.5	89	0.19	5	1.88	48	0.31	8	7.25	184	0.5 in	13	N/A	N/A	15	15

# Customer must specify side air connection (F) or through-the-shaft air connection (O)

\* National Pipe Thread on 8ER250, thru hole on 10" and 12" ER

\*\* ANSI unified screw thread

**IMPORTANT:** Equipment operation must comply with all OSHA and regulatory standards. Operation outside of these specifications or applications will void all Oil States Industries' warranties. New applications must be approved in advance by Oil States to assess warranty coverage.



## About Oil States Clutch & Brake Systems

*Oil States is a global supplier of trusted clutch and brake solutions for industrial, oilfield, mining and forestry applications and more. Engineered and tested to the highest standards of performance and reliability, Oil States brake and clutch solutions offer a full range of performance and configurations for virtually any environment.*

### DRUM STYLE

- Elasta-Flex® VC Series
- Elasta-Flex® HVC Hydraulic Series
- Elasta-Flex® CB Series
- Elasta-Flex® CM Series

### DISK STYLE

- CoolForce™ Water Cooled Brakes
- Hydraulic and Pneumatic Calipers

### EXPANDING CLUTCH ACTUATORS

- Elasta-Flex® E Series
- Elasta-Flex® VE Series
- Elasta-Flex® Expander Tubes

## OIL STATES INDUSTRIES, INC.

**Industrial Products Division**  
*Manufacturing, Engineering & Sales*  
 7701 S. Cooper Street  
 Arlington, Texas 76001 USA  
 Tel +1 817 548 4200  
 Fax +1 817 548 4222  
 US Toll Free: 1 (800) 785 2674  
 E-mail: [IndProd@oilstates.com](mailto:IndProd@oilstates.com)

### Europe & Eurasia

**Oil States Industries, Inc.**  
*Representative Office*  
 36, Bd des Oceans  
 13275 Marseille, Cedex 9  
 France  
 Tel +33 491 956 051  
 Fax +33 491 401 482

### Oil States Industries, Inc.

*Representative Office*  
 Suite 5, 1F Amirov Street  
 Baku, AZ1000 Azerbaijan  
 Tel/Fax +994 125 981 125

### Middle East & Africa

**Oil States Industries, Inc.**  
*Branch Office*  
 Fairmont Hotel, Ste. 515  
 Sheikh Zayed Road  
 Dubai, UAE  
 Tel +971 50 550 0954

### Oil States Industries (Nigeria) Ltd.

*Sales Office*  
 No. 50c Glover Road  
 Ikoyi, Lagos, Nigeria  
 Tel +234 1 2718363  
 Fax +234 1 2718364

### South America

**Oil States Industries do Brasil Ltda.**  
*Sales Office*  
 Centro Empresarial Barra Shopping  
 Bloco 8B, COB 303  
 Av. das Américas 4200  
 CEP 22640-907  
 Barra da Tijuca, RJ Brazil  
 Tel: +55 21 3503 2400

*Contact your local Oil States representative to learn more about our full clutch and brake product line.*



[www.oilstates.com](http://www.oilstates.com)

Copyright 2013 Oil States Industries, Inc. All rights reserved.  
 Elasta-Flex is a registered trademark of Oil States Industries, Inc.  
 Oil States is a registered trademark of Oil States International, Inc.

IM\4-13\5M