



SMATCO Towing Winch

Model 56-DTS-200K

STALL LINE PULL

- 200,000 Lbs at the 1st layer

CAPACITY (Each Drum)

- 2.0-inch rope: 2,400 feet
- 1.75-inch rope: 3,300 feet

ENGINE & TRANSMISSION

- 200-HP diesel engine
- Complete with 3-speeds
- Forward and reverse
- Power shift transmission
- Optional hydraulic transmission or electric drive

DRUM SIZE

- 24-inch barrel diameter
- 66-inch flange diameter
- 42-inch between flanges

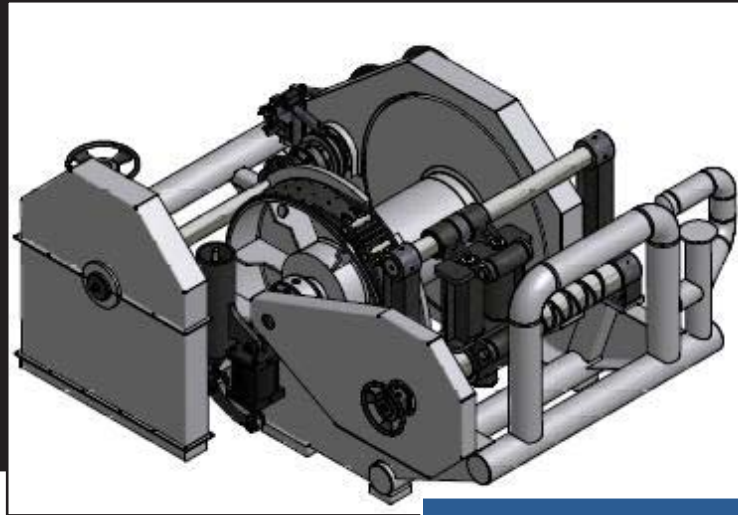
DRUM CLUTCH

- Jaw clutch on drum pinions as standard
- Air-operated with manual lever for maintenance
- Optional friction clutch on drum pinions

DRUM BAND BRAKE

- 250,000 Lb static 1st layer holding capacity
- Air set and release with manual handwheel supplement
- Optional spring set/air release

New Design... Same Reliability



Single Drum Configuration

DRUM PAWL

- 300,000 lbs holding
- Air-operated

CATHEAD

- 18-inch diameter
- One or Two Catheads (*optional*)

LEVEL WIND

- Diamond screw
- Optional hydraulic drive
- Bolt-on design (*can be Field added*)

WEIGHT & DIMENSIONS

- 54,000 Lbs (24, 500 Kg) *with engine*
- 166" L x 81" H x 196" W (*varies with options*)





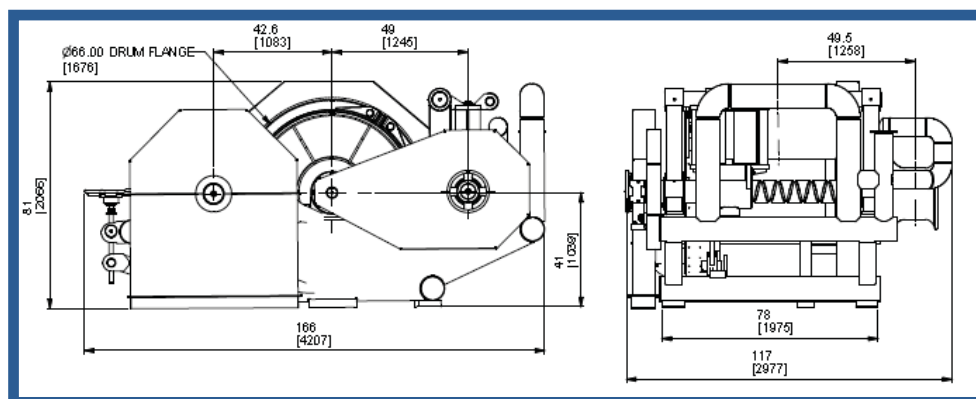
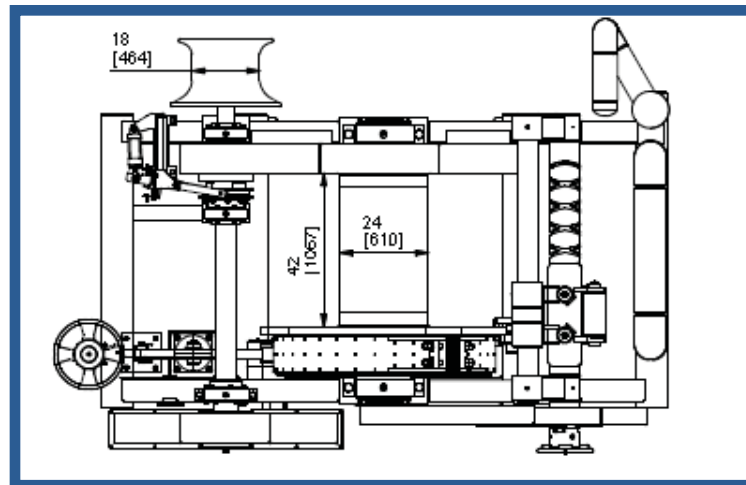
SMATCO Towing Winch

Model 56-DTS-200K

HAUL-IN PERFORMANCE

Single Drum Line Pull

WINCH IN-HAUL PERFORMANCE							
LAYER	LOW SPEED		MID RANGE		HIGH SPEED		STALL
	PULL-KIPS (MT)	SPEED-FPM (MPM)	PULL-KIPS (MT)	SPEED-FPM (MPM)	PULL-KIPS (MT)	SPEED-FPM (MPM)	PULL-KIPS (MT)
BARE DRUM	150 (68)	30 (9.1)	64 (29)	70 (21.3)	25 (11.3)	176 (53.6)	200 (90.7)
MID DRUM	93 (42)	48 (14.6)	39 (17.7)	93 (28.5)	15 (6.8)	285 (86.9)	120 (54.4)
FULL DRUM	63 (28)	72 (21.9)	27 (12.2)	168 (51.2)	10 (4.5)	420 (128)	81 (36.7)



OIL STATES SKAGIT SMATCO

MANUFACTURING, SALES & SERVICE

1180 Mulberry Road

Houma, Louisiana 70363 USA

Tel: 985.868.0630 Fax: 985.868.9733

Email: skagitsmatco.houston@oilstates.com

SALES OFFICE

1155 Dairy Ashford, Ste. 700

Houston, Texas 77079 USA

Tel: 713.510.2200 Fax: 713.510.2307



OIL STATES INDUSTRIES, INC.