



Radial Flow Tee

Prevent stalled pigs at pipeline tees

The Oil States Radial Flow Tee (RFT) is a specialized fitting that facilitates the passage of pipeline pigs past tee connections where flow bypass often leaves pigs stranded.

Unrestricted product flow

Effective even for full-diameter branch openings, the RFT's radial flow design provides an inner sleeve to direct the pig through the primary line and past the branch. Flow holes in the sleeve and annular cavity provide a flow area at least equal to the flow area of the branch line, permitting full product flow through the tee during normal operation.

RFTs can be supplied for all pipeline sizes with any size of reducing branch. They can meet any ANSI rating or match the pressure rating of the host pipeline. RFTs can also be provided with flanged end connections.

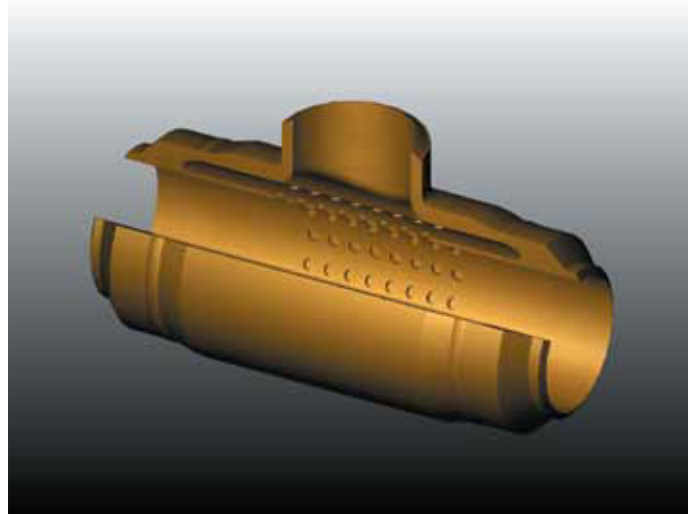
Design specifications

Radial Flow Tees are designed in accordance with ASME Pressure Vessel Code, Section VIII, Division 2, to meet ASME 31.8 or ASME B31.4, unless otherwise specified, and in accordance with applicable sections of MSS SP-75. The design pressure may be specified as an ANSI rating or as the equivalent pressure rating of the matching pipes.

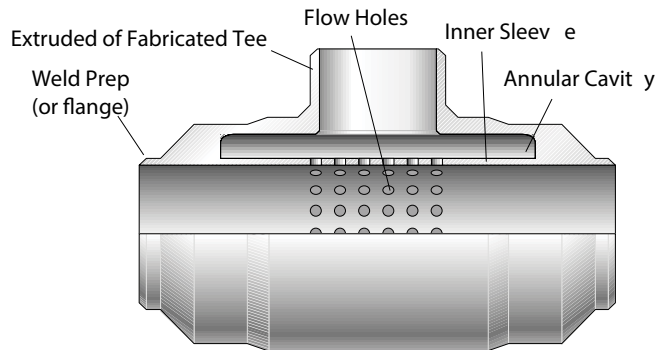
Ordering information

Please provide the following information on any purchase order or request for quotation:

- Nominal run pipe size, grade, and wall thickness or bore
- Nominal branch pipe size, grade, and wall thickness or bore
- Design rating or pipeline pressure
- Design code ASME B41.4 or B31.8
- Design factor



Radial Flow Tee (RFT)



OIL STATES HOUSTON

MANUFACTURING,
ENGINEERING & SALES:
6120 E. Orem Drive
Houston, Texas 77048 USA
Tel +1 713 445 2210
Fax +1 713 445 2380
houstonsales@oilstates.com

Houston Ship Channel
16730 Jacinto Drive Blvd.
Houston, Texas 77015 USA
Tel +1 281 247 7400
Fax +1 281 247 7401

SALES OFFICES:
North America
Oil States Industries Inc.
1155 Dairy Ashford Ste. 700
Houston, Texas 77079
USA
Tel +1 713 510 2200
Fax +1 713 510 2307

South America
Oil States Industries
do Brasil Ltda.
Centro Empresarial
Barra Shopping
Av das Américas 4200 Bl 8,
Cob 303 CEP 22640-102
Barra da Tijuca, RJ Brazil
Tel +55 21 3385 4473

Europe & Eurasia
Oil States Industries Inc.
Blackness Road
Altens Industrial Estate
Aberdeen AB12 3LH
Scotland UK
Tel +44 (0)1224 896190
Fax +44 (0)1224 896199

Oil States Industries Inc.
36, Bd des Océans
13275 Marseille Cedex 9
France
Tel +33 491 40 89 35
Fax +33 491 40 14 82

Oil States Industries Inc.
Suite 5, 1 F. Amir Street
Baku, AZ1000
Azerbaijan
Tel +994 12 4 981 125
Fax +994 12 5 379 125

SE Asia
Oil States Industries Inc.
102 Bis/M Le Lai Street
Ho Chi Minh City District
SR Vietnam
Tel +84 8 3925 3545
Fax +84 8 3925 0123

Middle East
Oil States Industries Inc.
Faimont Ste. 712
Sheikh Zayed Road
Dubai, United Arab Emirates
Tel +971 50 5500954

Africa
Oil States Industries
(Nigeria) Ltd.
No. 50c Glover Road
Ikoyi, Lagos
Nigeria
Tel +234 1 2718363
Fax +234 1 2718364

